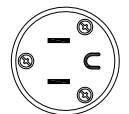
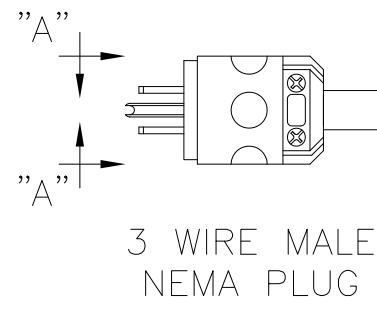


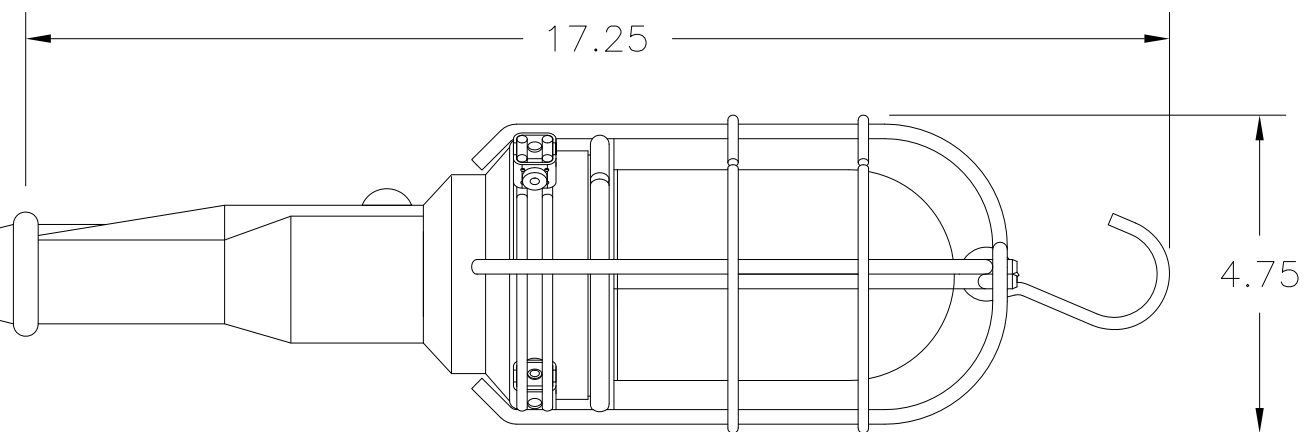
THIS DRAWING/SPECIFICATION CONTAINS PROPRIETARY INFORMATION OF THE J.B. NOTTINGHAM AND CO., INC./ DURALINE, WHICH SHALL NOT BE PUBLISHED, REPRODUCED, COPIED, FURTHER DISCLOSED AS THE BASIS OF MANUFACTURE FOR OR SALE OF APPARATUS TO OTHERS THAN THE J.B. NOTTINGHAM AND CO., INC., EXCEPT BY WRITTEN PERMISSION OF A DULY AUTHORIZED REPRESENTATIVE OF SAID COMPANY.

REVISIONS				
ZONE	REV	DESCRIPTION	DATE	APPROVED


SOOW CABLE OPTIONS		
LENGTH	SIZE	COLOR
25'	14/3	BLACK
25'	14/3	YELLOW
25'	16/3	BLACK
25'	16/3	YELLOW
50'	14/3	BLACK
50'	14/3	YELLOW
50'	16/3	BLACK
50'	16/3	YELLOW



VIEW "A-A"



VAPOR PROOF HANDLIGHT W/ SWITCH, MOLDED YELLOW OR RED, INCLUDES, ADAPTER, GLOBE, GUARD AND HOOK (BULB IS NOT INCLUDED)

DIMENSIONS IN INCHES UNLESS OTHERWISE NOTED. TOLERANCES: FRAC. ~ DEC. ~ ANG. ~		VAPOR PROOF HANDLIGHT WITH SWITCH ON SOOW CABLE, 5-15 NEMA MALE CONNECTOR ON END. GLOBE, GUARD, BULB, ADAPTER AND HANGING HOOK ARE INCLUDED. ASSEMBLY RATED AT 120V, 100W				
MATERIAL: HANDLIGHT BODY IS MOLDED HYPALON	APPROVALS	DATE	 DIV. OF J.B. NOTTINGHAM 75 HOFFMAN LANE ISLANDIA, NY 11749			
FINISH :	DRAWN DR	2/6/06				
DO NOT SCALE DRAWING	CHECKED	ISSUED				
			SIZE A	FSCM NO. 16998	DWG. NO. SM184000-0XXX-XXX-XXX	REV.
			SCALE		SHEET 1 OF 1	