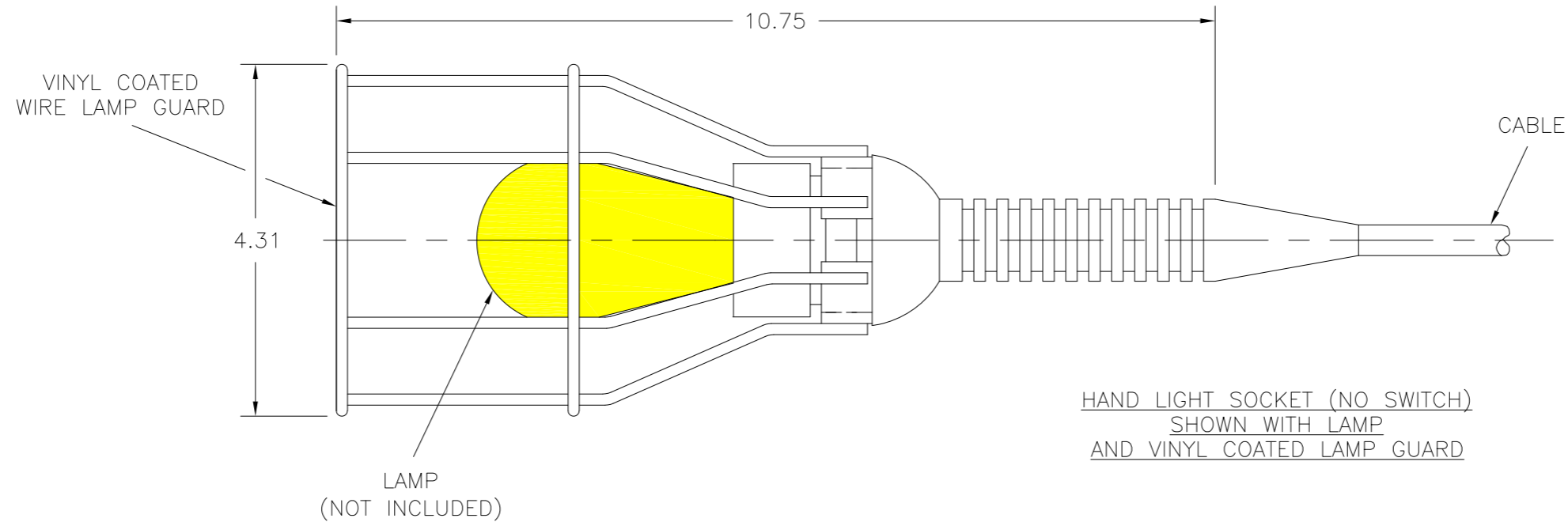
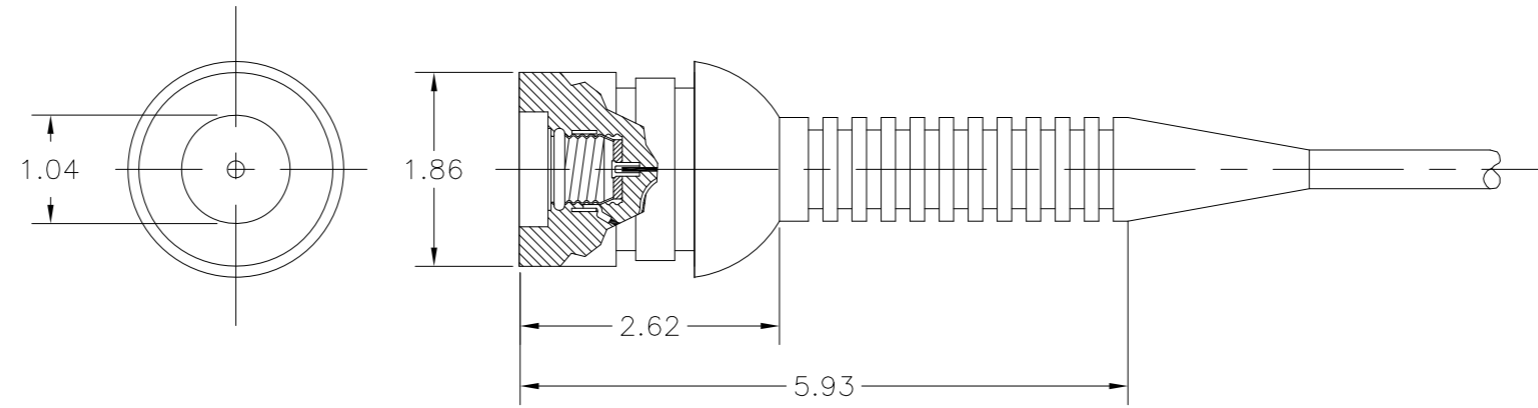



THIS DRAWING/SPECIFICATION CONTAINS PROPRIETARY INFORMATION OF THE J.B. NOTTINGHAM AND CO., INC.,/ DURALINE, WHICH SHALL NOT BE PUBLISHED, REPRODUCED, COPIED, FURTHER DISCLOSED AS THE BASIS OF MANUFACTURE FOR OR SALE OF APPARATUS TO OTHERS THAN THE J.B. NOTTINGHAM AND CO., INC., EXCEPT BY WRITTEN PERMISSION OF A DULY AUTHORIZED REPRESENTATIVE OF SAID COMPANY.

REVISIONS				
ZONE	REV	DESCRIPTION	DATE	APPROVED



HAND LIGHT SOCKET (NO SWITCH)
SHOWN WITH LAMP
AND VINYL COATED LAMP GUARD

DIMENSIONS IN INCHES UNLESS OTHERWISE NOTED. TOLERANCES: FRAC. DEC. ANG.			HAND LIGHT SOCKET (NO SWITCH)		
MATERIAL: BODY IS MOLDED HYPALON		APPROVALS	DATE	 DIV. OF J.B. NOTTINGHAM 75 HOFFMAN LANE ISLANDIA, NY 11749	
FINISH :		DRAWN DR	2/17/06		
DO NOT SCALE DRAWING		CHECKED	ISSUED		
		SCALE			
			SIZE A	FSCM NO. 16998	DWG. NO. HLSNS
					REV. 1
			SHEET 1 OF 1		