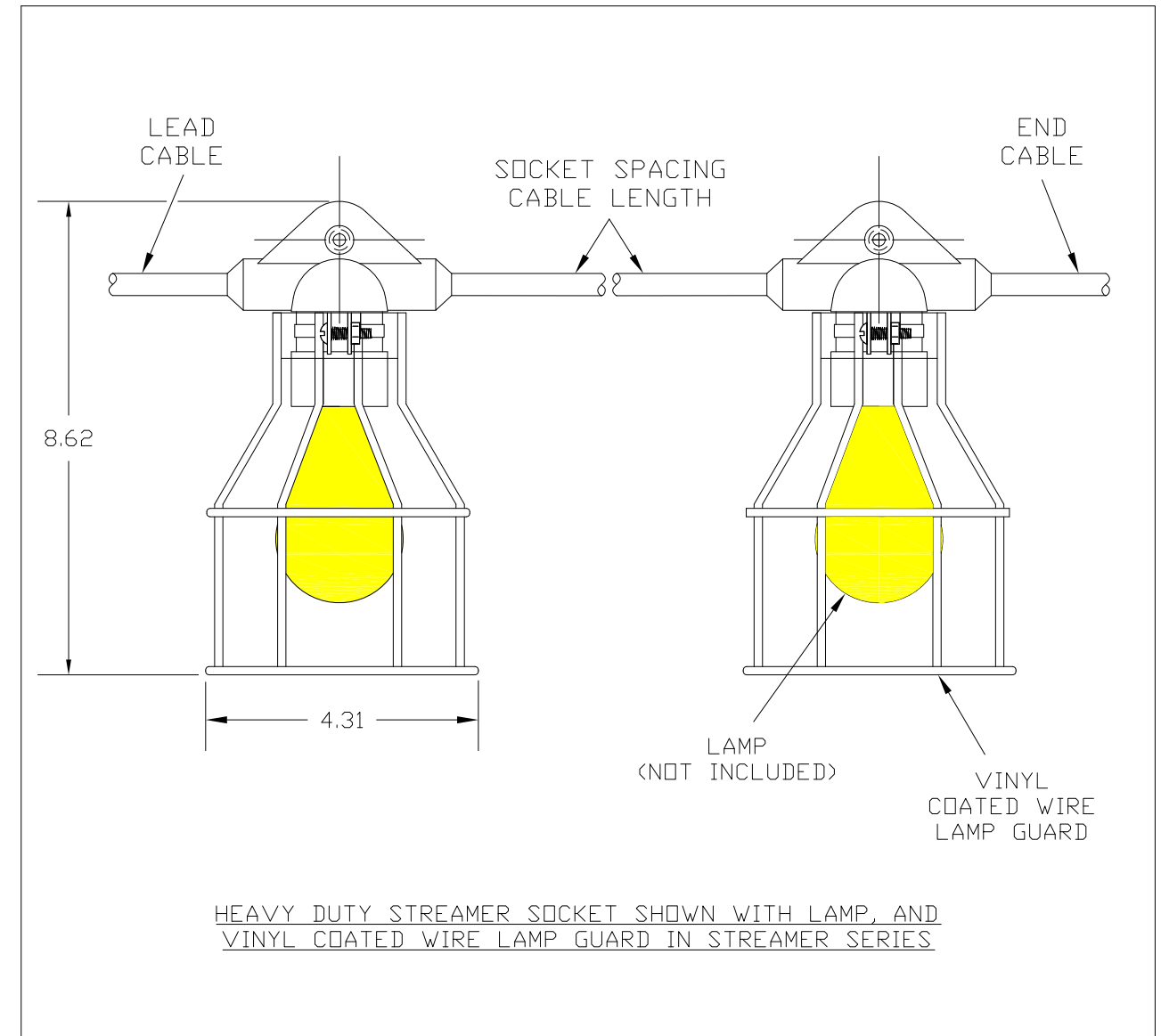
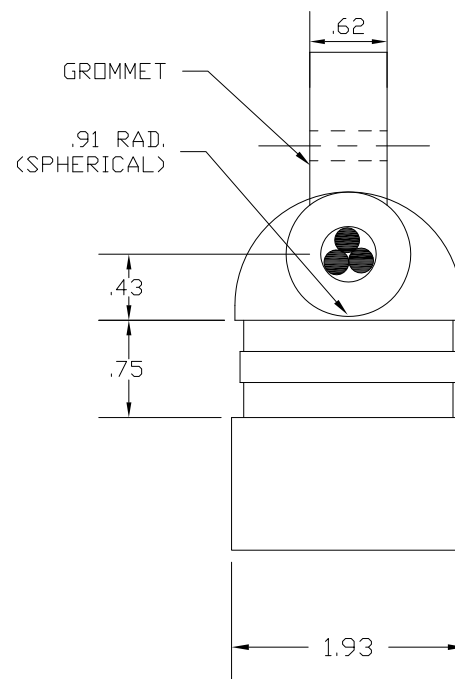
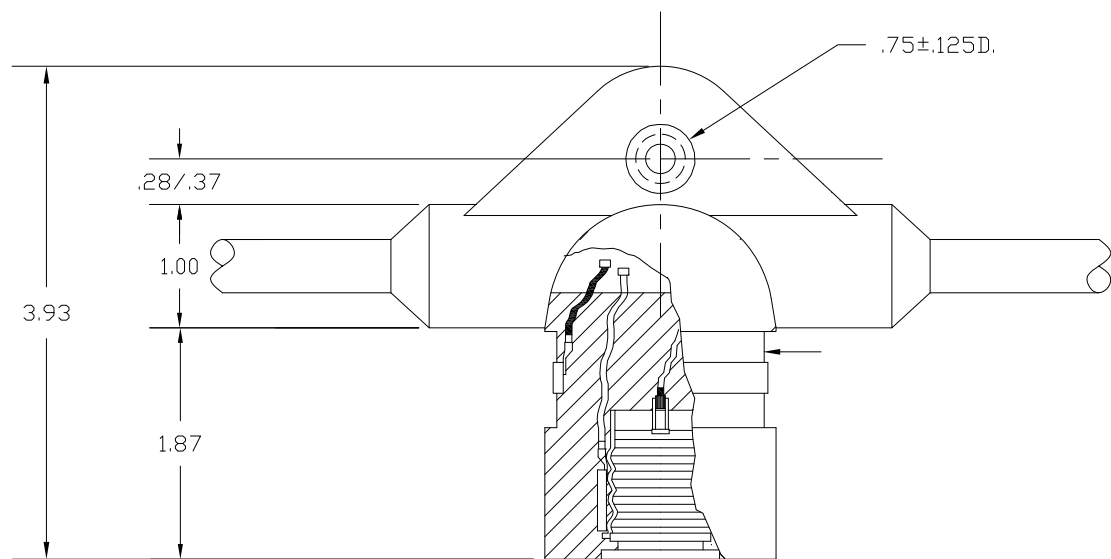
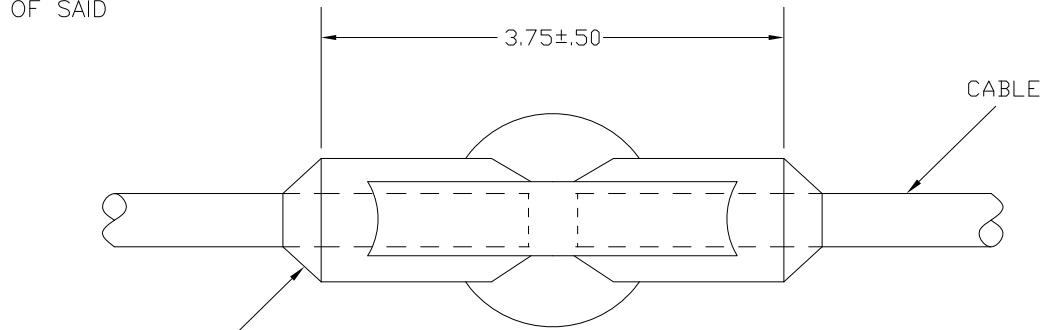


THIS DRAWING/SPECIFICATION CONTAINS PROPRIETARY INFORMATION OF THE J.B. NOTTINGHAM AND CO., INC./DURALINE, WHICH SHALL NOT BE PUBLISHED, REPRODUCED, COPIED, FURTHER DISCLOSED AS THE BASIS OF MANUFACTURE FOR OR SALE OF APPARATUS TO OTHERS THAN THE J.B. NOTTINGHAM AND CO., INC., EXCEPT BY WRITTEN PERMISSION OF A DULY AUTHORIZED REPRESENTATIVE OF SAID COMPANY.

REVISIONS				
ZONE	REV	DESCRIPTION	DATE	APPROVED



DIMENSIONS IN INCHES UNLESS OTHERWISE NOTED. TOLERANCES:
 FRAC. DEC. ANG.

MATERIAL: BODY IS MOLDED HYPALON

FINISH:

DO NOT SCALE DRAWING

APPROVALS	DATE
DRAWN DR	2/2/06
CHECKED	
ISSUED	

HEAVY DUTY STREAMER SOCKET

Duraline®

DIV. OF J.B. NOTTINGHAM
 75 HOFFMAN LANE
 ISLANDIA, NY 11749

SIZE A	FSCM NO. 16998	DWG. NO. HDSS	REV.
SCALE		SHEET 1 OF 1	