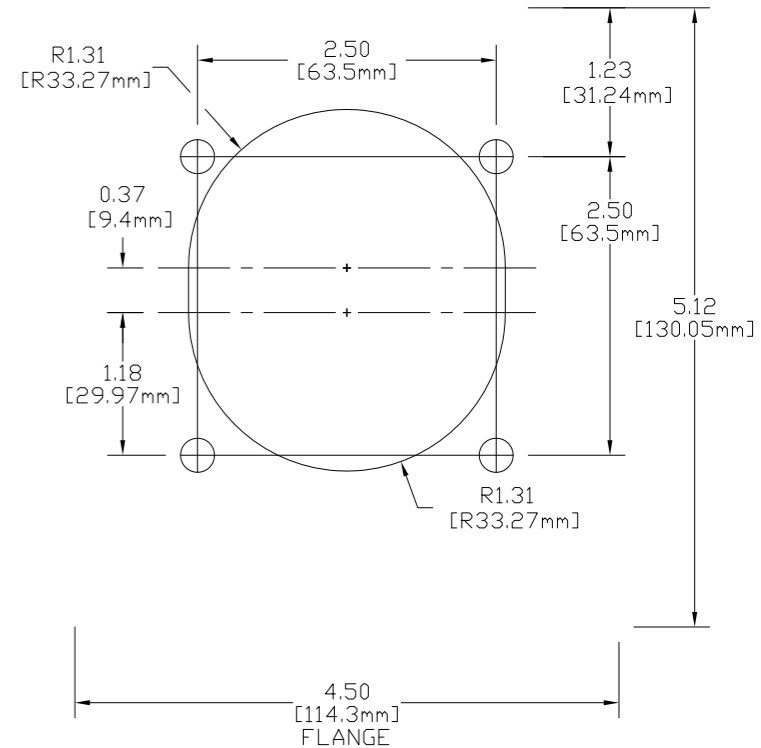
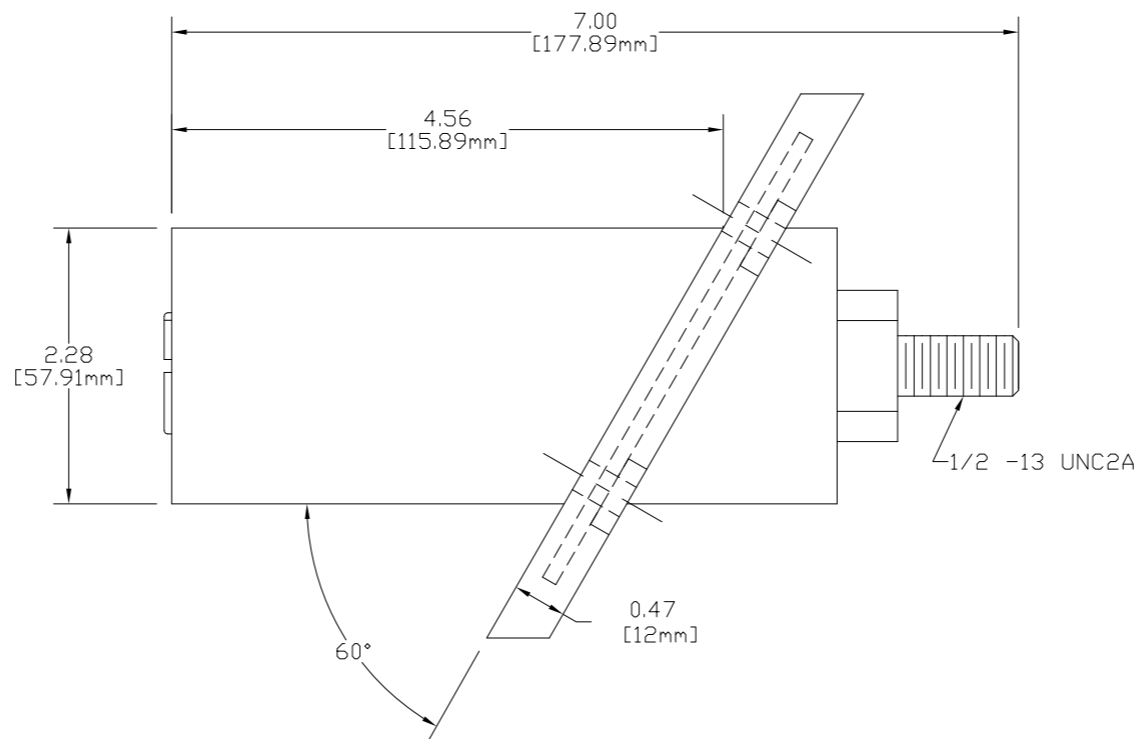
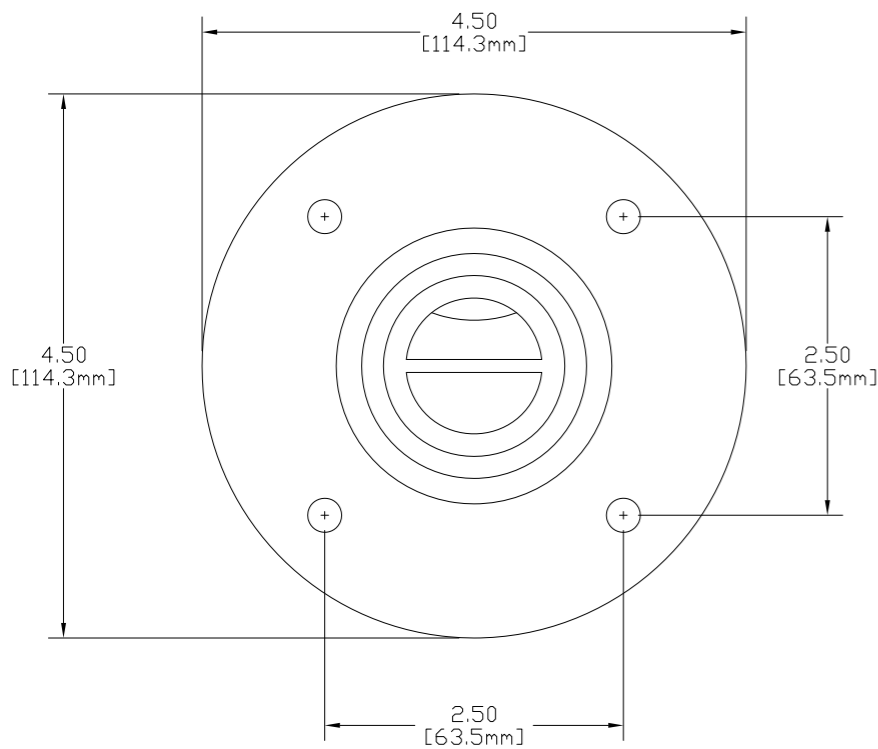


E1019 SERIES 90° WELDING SERIES BALL NOSE - 19 SERIES MALE RECEPTACLE 350 - 750 MCM



E1019 SERIES 90° WELDING SERIES BALL NOSE - 19 SERIES MALE RECEPTACLE 350 - 750 MCM

MOUNTING DIMENSIONS