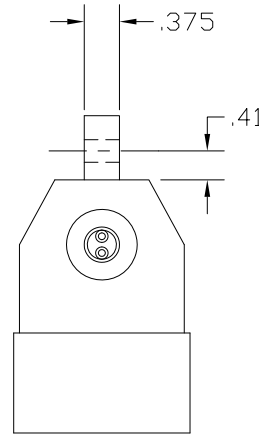
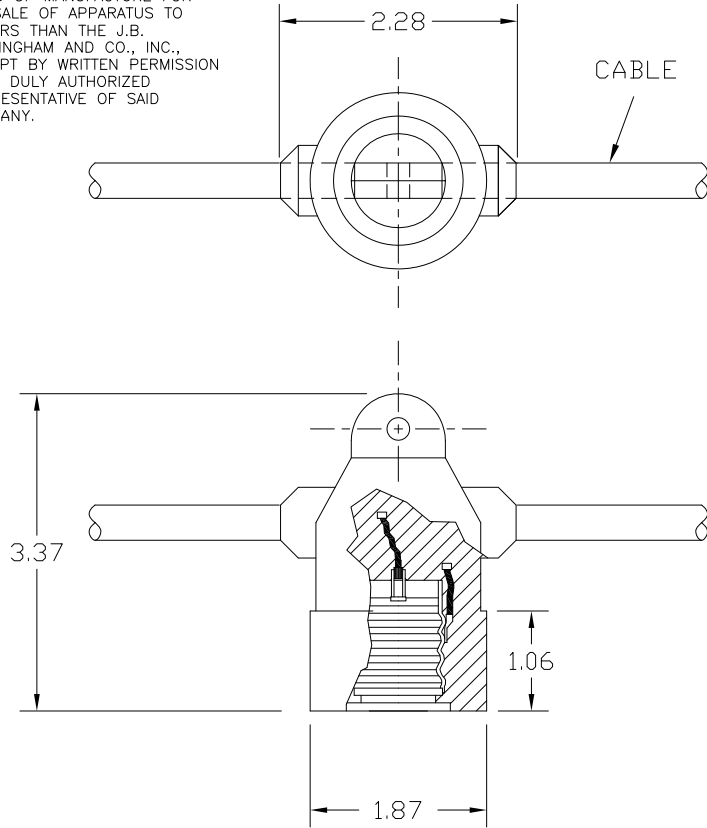
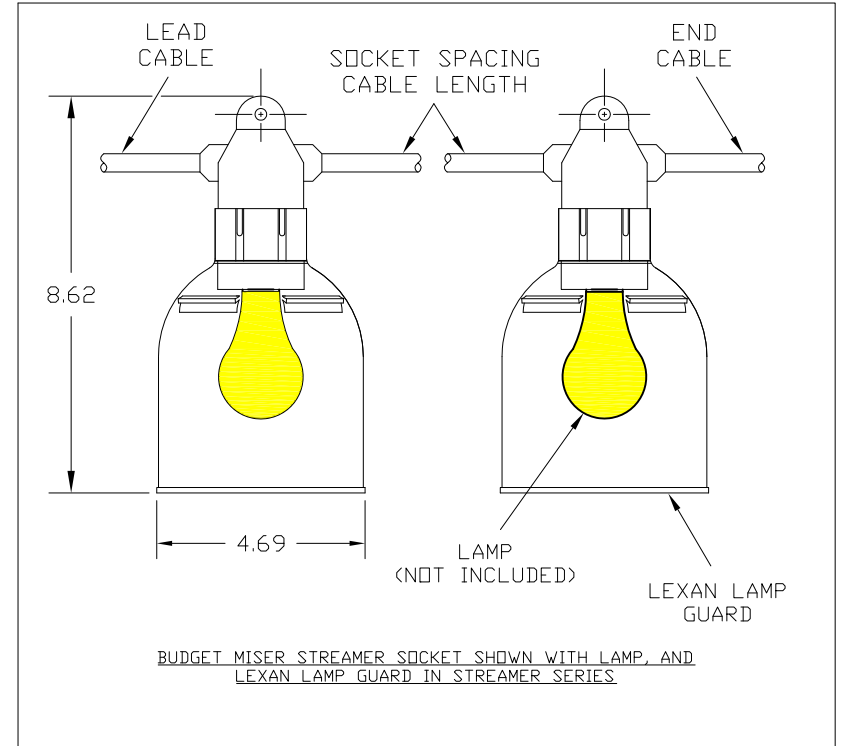



THIS DRAWING/SPECIFICATION
CONTAINS PROPRIETARY
INFORMATION OF THE J.B.
NOTTINGHAM AND CO., INC./
DURALINE, WHICH SHALL NOT BE
PUBLISHED, REPRODUCED, COPIED,
FURTHER DISCLOSED AS THE
BASIS OF MANUFACTURE FOR
OR SALE OF APPARATUS TO
OTHERS THAN THE J.B.
NOTTINGHAM AND CO., INC.,
EXCEPT BY WRITTEN PERMISSION
OF A DULY AUTHORIZED
REPRESENTATIVE OF SAID
COMPANY.



REVISIONS				
ZONE	REV	DESCRIPTION	DATE	APPROVED



DIMENSIONS IN INCHES UNLESS OTHERWISE NOTED. TOLERANCES: FRAC. DEC. ANG.		BUDGET MISER STREAMER SOCKET		
MATERIAL: BODY IS MOLDED HYPALON		APPROVALS	DATE	 DIV. OF J.B. NOTTINGHAM 75 HOFFMAN LANE ISLANDIA, NY 11749
FINISH:		DRAWN DR	2/2/06	
DO NOT SCALE DRAWING		CHECKED	ISSUED	
		SIZE A	FSCM NO. 16998	
		DWG. NO. BMSS		REV.
		SCALE		SHEET 1 OF 1