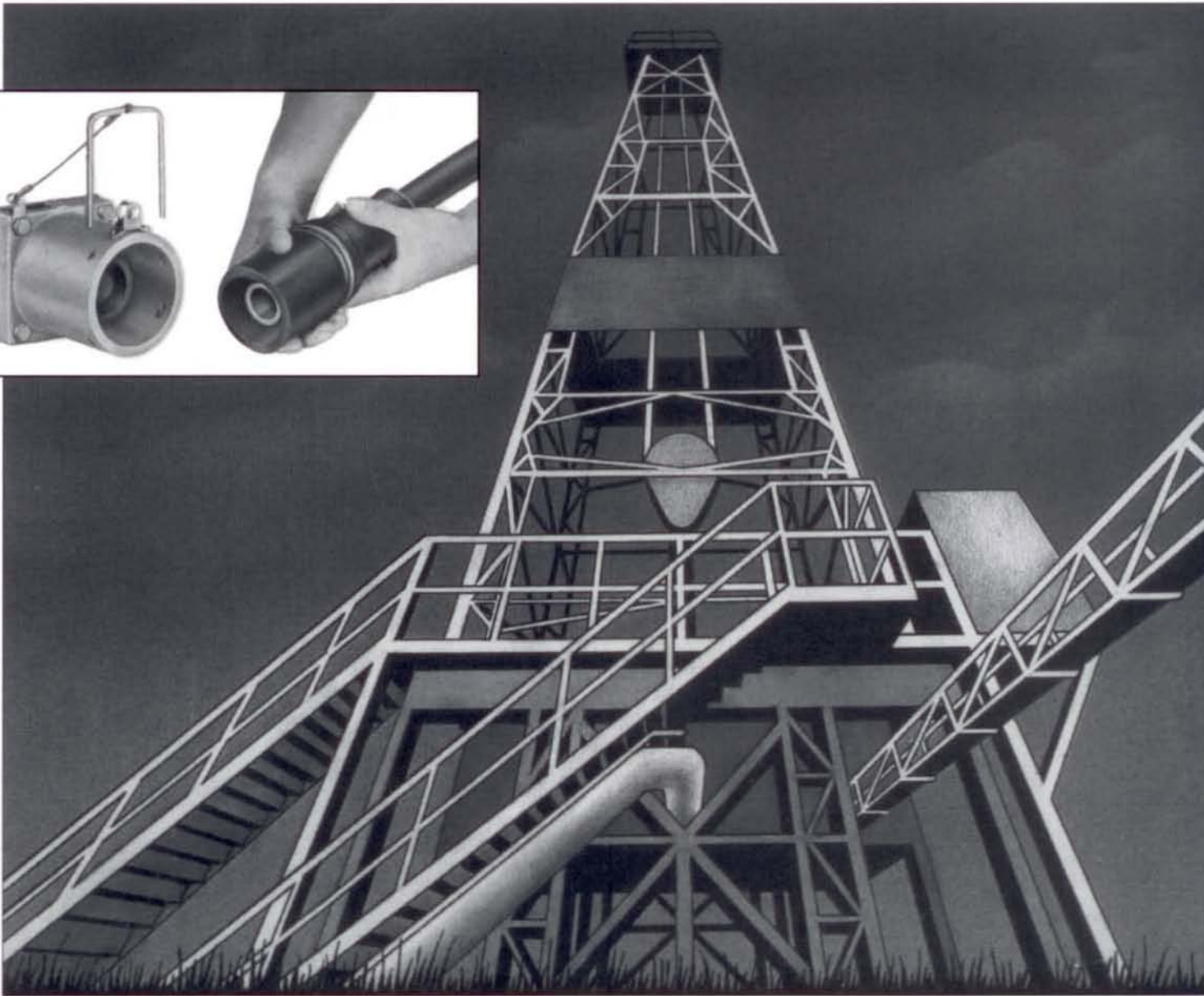


ROUGHNECK

HIGH AMPERAGE CONNECTORS



CROUSE-HINDS
cam-lok[®]
CONNECTORS

COOPER Crouse-Hinds

ROUGHNECK HIGH AMPERAGE CONNECTORS

FOR USE WITH SINGLE CONDUCTOR FOR 313-777 MCM CABLE, 1000 VOLTS AC/DC, RATED UP TO 1135 AMPERES

Finally, here's a rugged single conductor connector specifically designed for oil drilling applications. Weatherproof and practically indestructible under the most extreme working conditions, "ROUGHNECK" connectors offer a margin of safety and reliability unavailable until now.

For years, drilling contractors have been looking for a safe, easily connectable, high amperage connector that would withstand the rigors of day-in-day-out drilling operations. Crouse-Hinds Cam-Lok "Roughneck" Plugs and Receptacles are designed to equal the cable performance at 1135 amps continuous with intermittent surges up to 1300 amps. They're built to take heavy abuse-resistant to wind, rain, mud, oil and sea water, yet they can be quickly connected and disconnected without any tools.

Specially made to handle a variety of drilling applications, the "Roughneck" can be quickly and safely connected to the switchgear or the AC or DC sides of the SCR package and carry power to mud pumps and all other traction motors.

SIMPLE TO CONNECT AND DISCONNECT—No tools of any kind are required to connect or disconnect the connector. An external "U" shaped clevis pin locks the halves together eliminating the possibility of accidental disengagement which can cause disruption of service and electrical shock hazards. The clevis pin is designed to permit insertion of a safety wire to provide additional security or the ability to padlock.

SAFETY—"Roughneck" Plugs and Receptacles feature totally shielded contacts. The synthetic rubber insulator extends past the ends of both male and female contacts for complete safety. Male contacts are equipped with Crouse-Hinds Cam-Lok's patented Safe Front Insulated Tip to minimize potential shock hazard. It provides the safest high amperage connector in the industry.

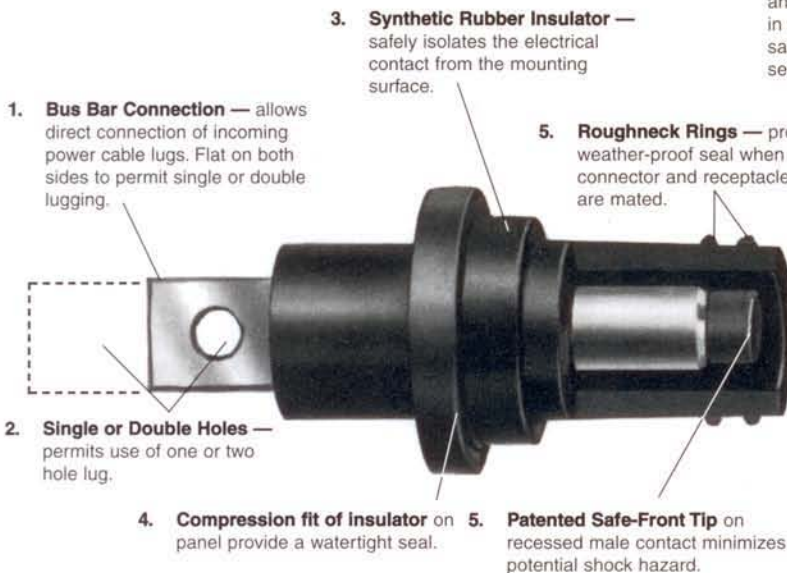
POSITIVE POWER CONNECTION—Silver plated high conductivity copper alloy contacts provide minimum resistance, minimum heating.

COLORED INSULATORS FOR IDENTIFICATION—Eight colors are available to provide easy circuit identification when mating plugs with receptacles. Color coding helps prevent reverse phasing on AC circuits or cross polarization on DC circuits to assure correct rotation of motors while providing for operator safety.

The insulators can be fastened to the cable by hose clamp or by field vulcanizing. Inexpensive portable vulcanizers are available. Refer to Bulletin 590.

AMPACITY RATING — 40°C AMBIENT		
CABLE SIZE	90°C†	125°C†
313 MCM	513 AMPS	636 AMPS
444 MCM	642 AMPS	896 AMPS
535 MCM	724 AMPS	898 AMPS
646 MCM	814 AMPS	1009 AMPS
777 MCM	916 AMPS	1135 AMPS

†Conductor temperature shall not exceed these ratings.



COMPLETE MALE RECEPTACLE

9. **Clevis Pin** — locks connector and receptacle together. Holes in clevis pin permit insertion of safety wire for additional security.



